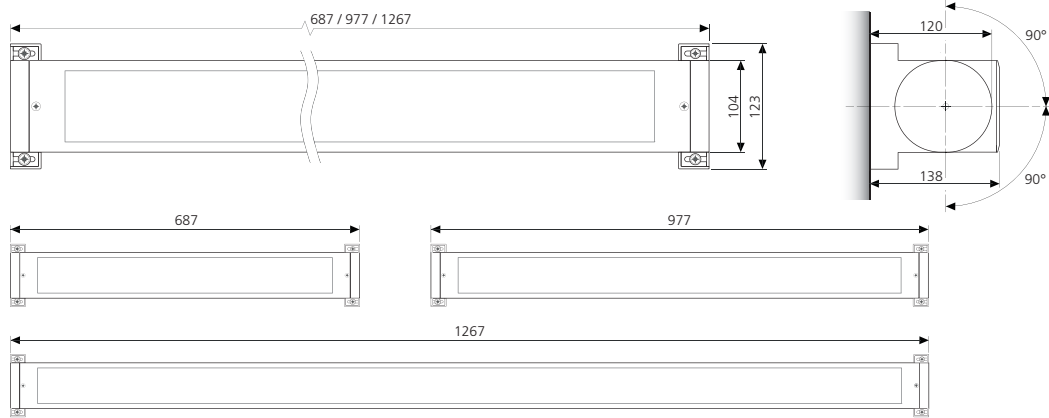
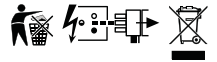
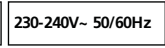
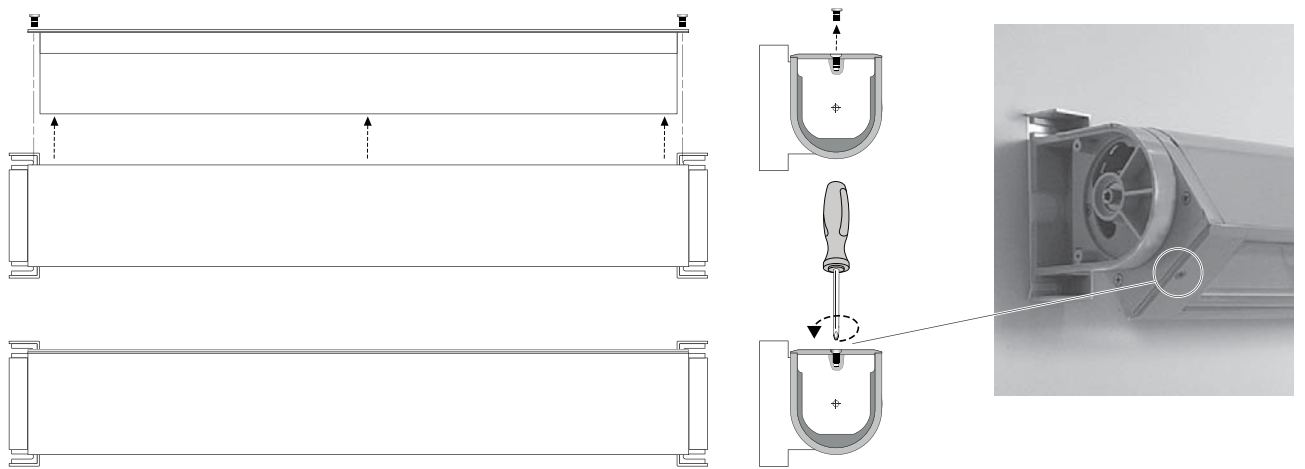


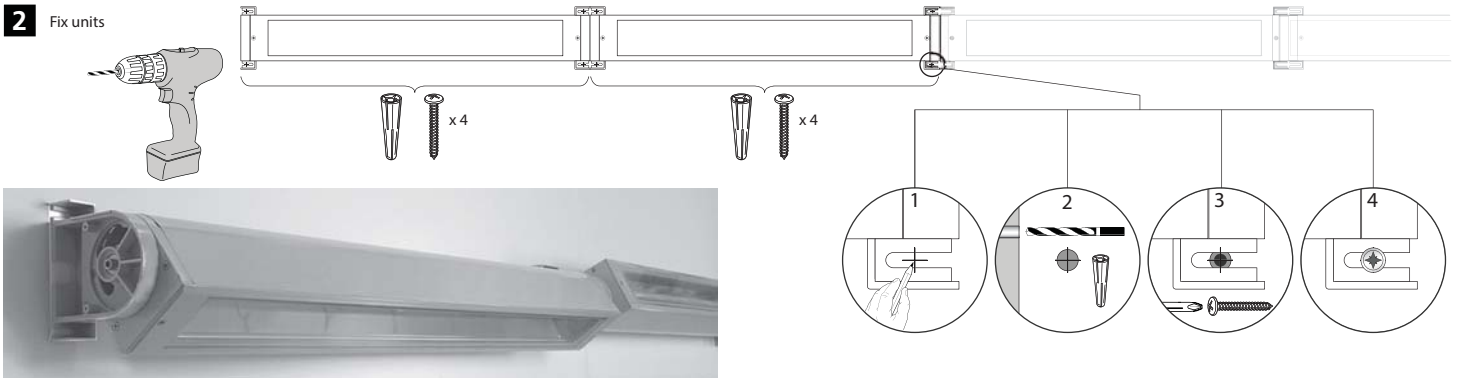
4068819 - X = 2.7
4068821 - X = 2.2



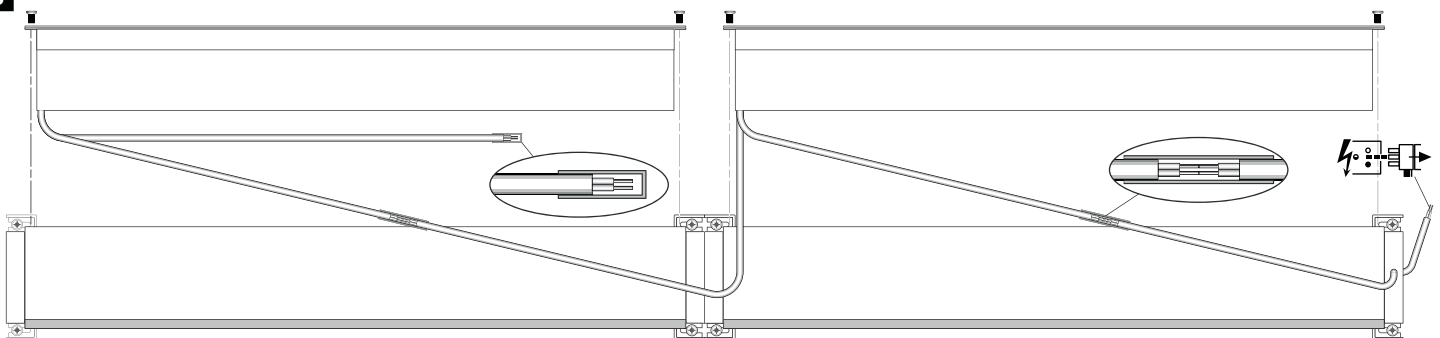
1 Remove fixture from housing



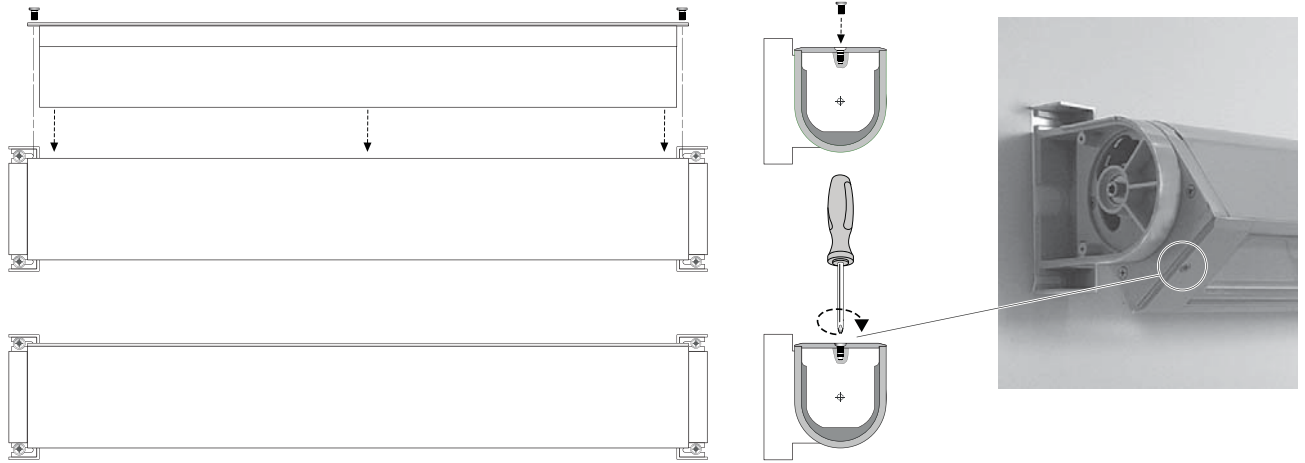
2 Fix units



3 Electrically connect units



4 Place fixture in housing



5 Place and fix end caps on each end

